

Product Technical Data Sheet

14-20 Hex Head Part Thread Series 500 TekS Climaseal 4

Application:

Buildex® 14-20 Hex Head Series 500 TekS® are designed for crest fixing insulated roof panels and insulated wall panels to thick steel (3mm-12mm). Available either bare or with EDPM Sealing Washer.

In cyclonic regions the 14-20 Hex Head Series 500 TekS® can also be used with MultiSeal® Washer.

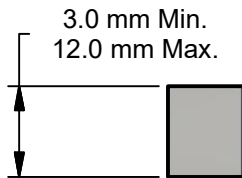
Features	Benefits
Hex Drive	For positive drive under high installation torque.
Series 500 Point	For drilling into thick steel (3mm-12mm) while ensuring maximum pullout strength and a high strip torque.
Finish	Corrosion performance of Climaseal 4 to suit the application.
Colormatch	The 14-20 Series 500 TekS can be painted to match Colorbond sheeting products.

Installation Instructions:

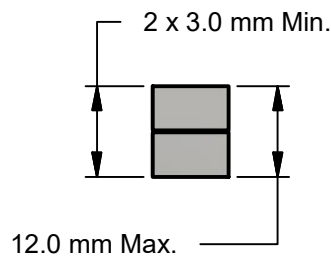
1. Use a 3/8" Hex Socket.
2. Use a mains powered or cordless screw driver with a drive speed of 3,000 RPM maximum.
3. Fit the driver bit into the screw and place at the fastening position.
4. Apply consistently firm pressure (end load) to the screw driver until the screw has fastened.

Drilling and Installing Capacity

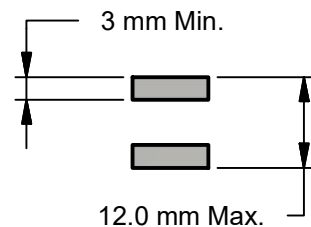
Single Thickness of Metal



Multiple Pieces of Metal



Multiple Pieces of Metal with Air Gap



Mechanical Properties:

Single Shear Strength (Newton) 11,200 | Axial Tensile (Newton) 21,200 | Torsion Strength 20.4 Newton-metre

Pullout Values (Newton):

3.0mm G450: 6,100 | 3.0mm HRS: 8,200 | 5.0mm HRS: 12,600 | 6.0mm HRS: 16,900 | 8.0mm HRS: 18,000* | 12.0mm HRS: 18,000*.

*In the case of the 8.0mm and 12.0mm HRS the fasteners failed in tension before they were pulled out from HRS.

All values are averages obtained under laboratory conditions and appropriate safety factors should be applied for design purposes. These figures are applicable to Buildex® head marked product only.

Material: Carbon Steel SAE 1022 | **Heat Treatment:** To AS 3566.1 | **Finish:** Climaseal 4®

Corrosion Performance:

Climaseal 4 Fasteners are suitable for use in Category 4 and 3 corrosive environments as described in ISO 9223-2012 and AS4312-2008

Cyclonic Testing:

Buildex Multiseal assemblies are tested and passed by the James Cook University Cyclone Testing Station to the Lo-Hi-Lo standard.

Product Technical Data Sheet

14-20 Hex Head Part Thread Series 500 TekS Climaseal 4

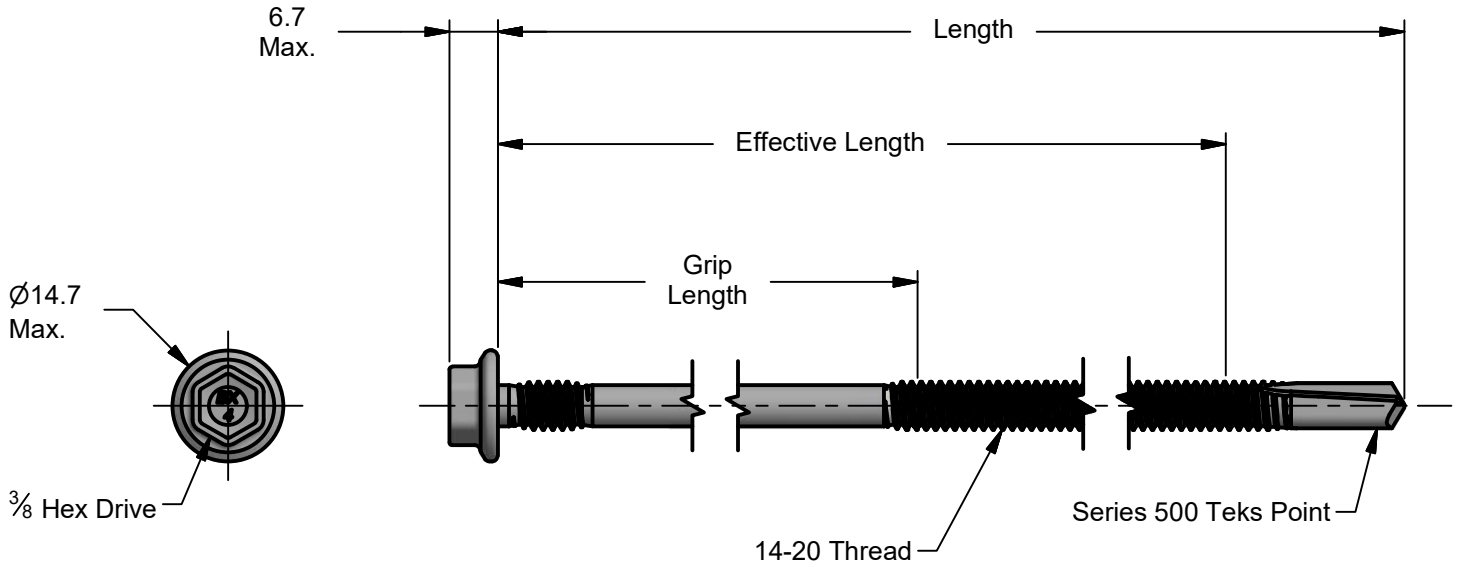
14-20 Hex Head Series 500 TekS Bare Parts			
Part Number	Description	Pack Qty	Pallet Qty
6-351-3028-8C4	14-20 x 150 Hex Head Hi Grip Series 500 TekS	250	21,000
6-351-3029-9C4	14-20 x 200 Hex Head Hi Grip Series 500 TekS	250	21,000
6-351-3049-9C4	14-20 x 250 Hex Head Hi Grip Series 500 TekS	150	12,600
6-351-3038-8C4	14-20 x 300 Hex Head Hi Grip Series 500 TekS	250	18,000

14-20 Hex Head Series 500 TekS with Seal			
Part Number	Description	Pack Qty	Pallet Qty
6-350-3028-8C4	14-20 x 150 Hex Head Hi Grip Series 500 TekS with Seal Climaseal 4	250	21,000
6-350-3029-9C4	14-20 x 200 Hex Head Hi Grip Series 500 TekS with Seal Climaseal 4	250	21,000
6-350-3049-9C4	14-20 x 250 Hex Head Hi Grip Series 500 TekS with Seal Climaseal 4	150	12,600

14-20 Hex Head Series 500 TekS with Multiseal			
Part Number	Description	Pack Qty	Pallet Qty
6-350-3031-1C4	14-20 x 150 Hex Head Series 500 TekS with MultiSeal Climaseal 4	150	9,000
6-350-3033-3C4	14-20 x 200 Hex Head Series 500 TekS with MultiSeal Climaseal 4	150	9,000

Product Technical Data Sheet

14-20 Hex Head Part Thread Series 500 Teks Climaseal 4

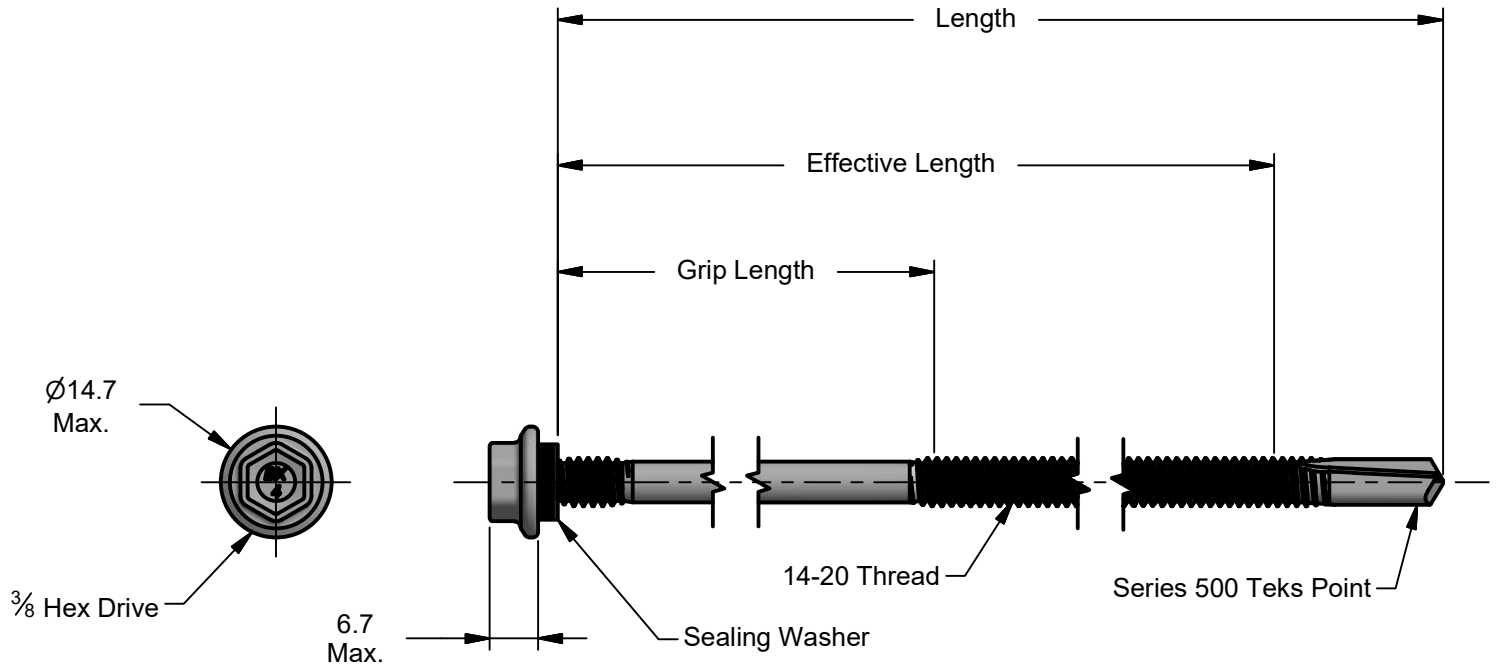


Part Number	Description	Length	Grip Length	Effective Length
6-351-3028-8C4	14-20 x 150 Hex Head Hi Grip Series 500 Teks	148.5 / 150.0	53.75 / 55.75	130.0 Min.
6-351-3029-9C4	14-20 x 200 Hex Head Hi Grip Series 500 Teks	198.5 / 200.0	103.75 / 105.75	180.0 Min.
6-351-3049-9C4	14-20 x 250 Hex Head Hi Grip Series 500 Teks	248.5 / 250.0	153.75 / 155.75	230.0 Min.
6-351-3038-8C4	14-20 x 300 Hex Head Hi Grip Series 500 Teks	298.5 / 300.0	203.75 / 205.75	280.0 Min.

All dimensions nominal unless otherwise stated. Normal manufacturing tolerances apply. All dimensions in millimeters. Third Angle Projection.

Product Technical Data Sheet

14-20 Hex Head Part Thread Series 500 Teks Climaseal 4



Note

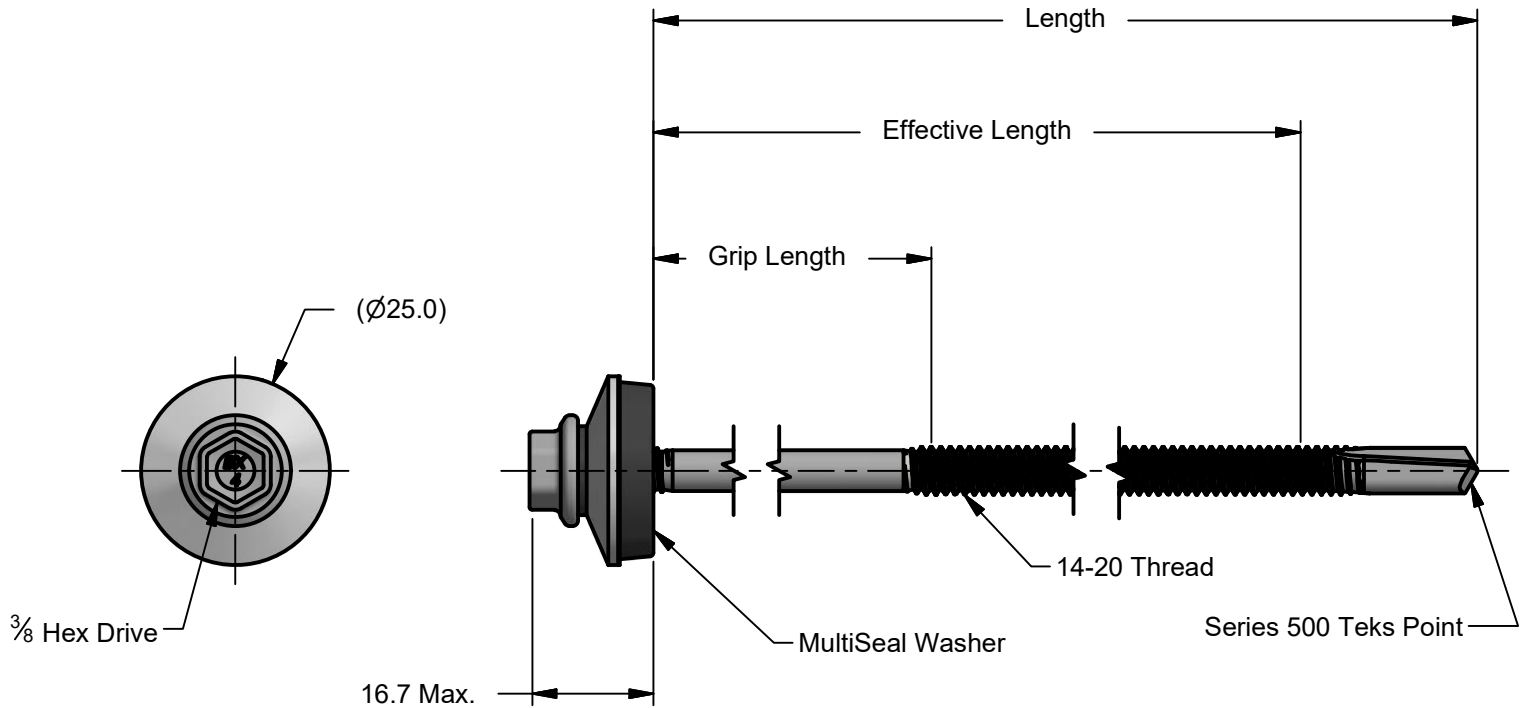
Lengths from underside of sealing washer and includes compression.

Part Number	Description	Length	Grip Length	Effective Length
6-350-3028-8C4	14-20 x 150 Hex Head Hi Grip Series 500 Teks with Seal Climaseal 4	148.0 / 149.5	54.0 / 56.0	129.5 Min.
6-350-3029-9C4	14-20 x 200 Hex Head Hi Grip Series 500 Teks with Seal Climaseal 4	198.0 / 199.5	103.0 / 105.0	179.5 Min.
6-350-3049-9C4	14-20 x 250 Hex Head Hi Grip Series 500 Teks with Seal Climaseal 4	248.0 / 249.5	154.5 / 156.5	229.5 Min.

All dimensions nominal unless otherwise stated. Normal manufacturing tolerances apply. All dimensions in millimeters. Third Angle Projection.

Product Technical Data Sheet

14-20 Hex Head Part Thread Series 500 Tekseal 4



Note
Lengths from underside of sealing washer and includes compression.

Part Number	Description	Length	Grip Length	Effective Length
6-350-3031-1C4	14-20 x 150 Hex Head Series 500 Tekseal with MultiSeal Climaseal 4	138.5 / 140.0	43.75 / 45.75	120.0 Min.
6-350-3033-3C4	14-20 x 200 Hex Head Series 500 Tekseal with MultiSeal Climaseal 4	188.5 / 190.0	93.75 / 95.75	170.0 Min.

All dimensions nominal unless otherwise stated. Normal manufacturing tolerances apply. All dimensions in millimeters. Third Angle Projection.

Buildex® Head Office
600 South Road
Moorabbin Victoria 3189
Australia

1300 368 101
CustomerService-MBN@buildex.com.au

Technical Help Desk
Technicalhelpdesk@buildex.com.au